

永祥<sup>®</sup>  
YONGXIANG

TQSX180X2

# 吸式振动去石机

SUCTION VIBRATION STONER



湖北永祥粮食机械股份有限公司

HUBEI YONGXIANG FOOD PROCESSING MACHINE CO.,LTD.

## 用途简介

TQSX180x2吸式振动去石机是永祥集多年研发、生产去石机的专业技术和经验，采用现代粮机制造工艺，精心设计、精心制作的清理去石设备，主要用于碾米企业及饲料加工厂的颗粒物料去石。该机通过风压的作用，使物料与石子自动分层。二者在往复运动的筛板作用下，各自向相反的方向运动，从而达到良好的去石效果。

## 产品特点

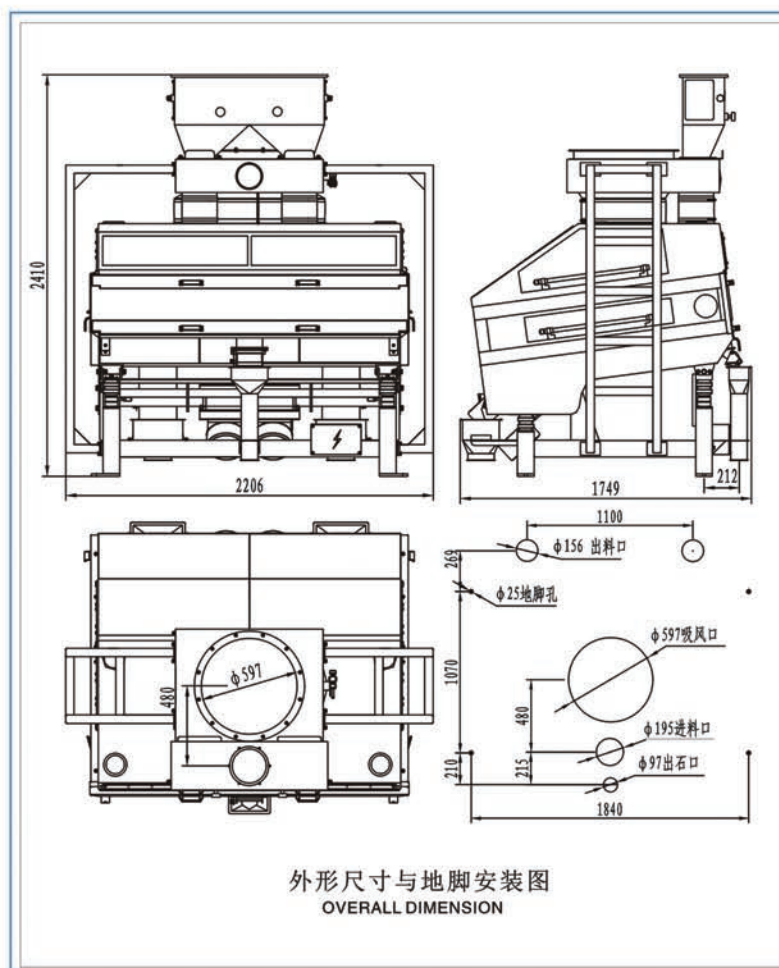
- 本机采用振动电机驱动，结构紧凑，机械性能稳定，运转平稳。
- 双层筛体结构，去石效果好，产量大、石子中含粮少。
- 全封闭筛体，无粉尘外扬，符合环保要求。
- 配备节流阀调节风量及风压，并用压力表指示风压。
- 配有长寿命日光灯照明系统，易观察。

## USE INTRODUCTION

Integrated years of professional technology and experience in R & D and production and in the use of modern food processing machine manufacturing technology, TQSX180x2 suction vibration stoner is well designed and well produced stoner. It is mainly used for removing stones from the particulate material in rice milling and feed processing plant. Under the action of air pressure, materials and stones is automated separated, and both move in the opposite direction respectively under the effect of reciprocating sieve, so as to achieve a good effect to remove stones.

## FEATURES

- This machine adopts vibrating motor, compact, stable mechanical performance, smooth operation.
- double screen structure, good removing stones effect, high yield, less containing stones in the grain.
- Closed sieve, no dust outside, complying with environmental requirements.
- With the throttle valve to regulate air flow and pressure, with pressure gauge to indicate pressure.
- Equipped with long-life fluorescent lighting systems, easy to observe.



## 主要技术参数 MAIN TECHNICAL DATA

型号 Type	TQSX180X2
处理量 Output(t/h)	20-25
配备动力 Power(kw)	0.55X2
机重 Weight(kg)	1060
外形尺寸 Dimension(mm)	1749X2206X2410

产品技术参数如有变更恕不另行通知 If technologic data has been changed without further information

通过ISO9001国际标准质量体系认证 ISO 9001 -2008 Certified

E-mail:yongxiangmiji@sohu.com http://www.hbyxlj.com

地址：湖北省安陆市府河大道2号

ADD: 2 FUHE AVE., ANLU CITY, HUBEI, CHINA

电话(TEL): 0712-5254443 5254445 5258762 传真(FAX):0712-5254443 邮编(POSTCODE): 432600