

## MNMS18X2B砂辊碾米机

MNMS18x2B砂辊碾米机主要用于糙米开糙及碾白，该机是在永祥公司经典单辊碾米机的基础上精心设计的双辊碾米机，该机采用双辊上下布局并联使用的结构方式，产量大、精度高、占地面积小，维修方便。该机优良的性能、经济实惠的价格是100~120吨优质米厂理想的配套米机。

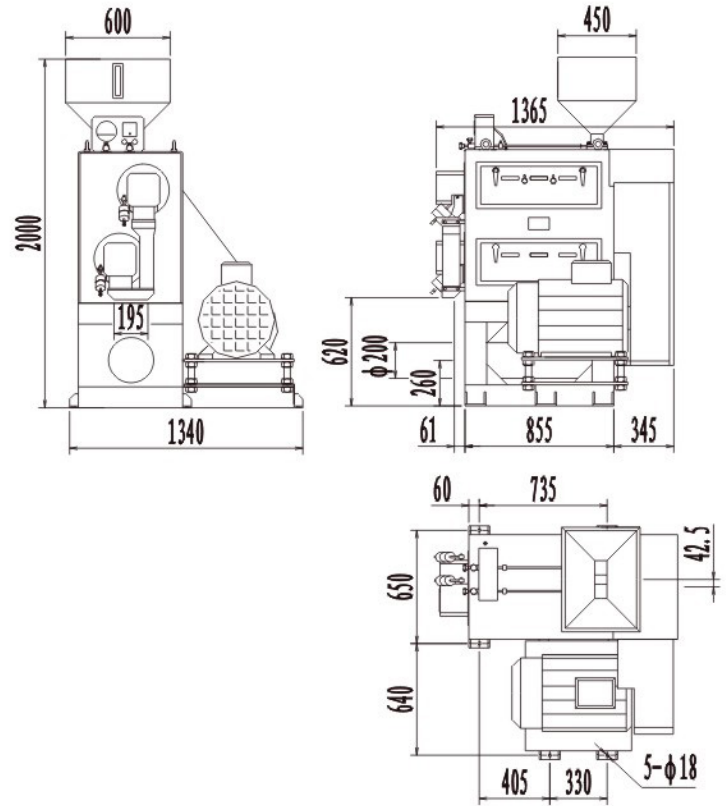
### 特点

- 采用独特的机械结构，上辊下辊并联使用，产量大、占地面积小，一台米机相当于二台效能，同时拆装维修方便、简单。
- 采用强负压碾米，加工的大米精度高、糠粉少、米温低，增碎少。
- 本机配备电流和负压显示，负压可调，操作方便。
- 根据不同品种大米加工的需要，配备多种转速的电机带轮，可以获得恰到好处的加工效果。

MNMS18X2B emery roller rice whitener is mainly used for brown rice milling as well as whitening. Adopting the structure of parallel double rollers, the machine features big capacity, high precision, small required area, and convenient to maintain. It is ideal equipment for 100-120 T/day rice mill with excellent performance and economical and beneficial price.

### Feature

- Due to unique mechanical structure, parallel double rollers, the machine features big capacity, small required area. One machine functions as two single roller whiteners, convenient to maintain and simple.
- Rice milling under strong negative pressure can get high grade rice, few bran, low rice temperature and low broken rice increment.
- With current and negative pressure display device, easy to operate and negative pressure is adjustable.
- Supplying many kinds of motor pulleys, it can be used for different varieties, achieving good processing effect.



(外形尺寸与地脚安装图)

### 主要技术参数

型号 Type	MNMS18X2B
处理量 Output(t/h)	4~5
动力配备 Power(kW)	37~45
主轴转速 Rotary speed of main shaft(rpm)	955~1550
负压 Negative pressure(mmH <sub>2</sub> O)	150~200
风量 Air volume(M <sup>3</sup> /min)	40~45
机重 Weight(Kg)	1500

### 通过ISO9001国际标准质量体系认证

E-mail: yongxiangmiji@sohu.com <http://www.hbyxlj.com>

地址: 湖北省安陆市府河大道8号

ADD: 8 FUHE AVE. ANLU CITY, HUBEI, CHINA

电话(TEL): 0712-5254443 5254445 5258762 传真(FAX): 0712-5254443 邮编(POSTCODE): 432600